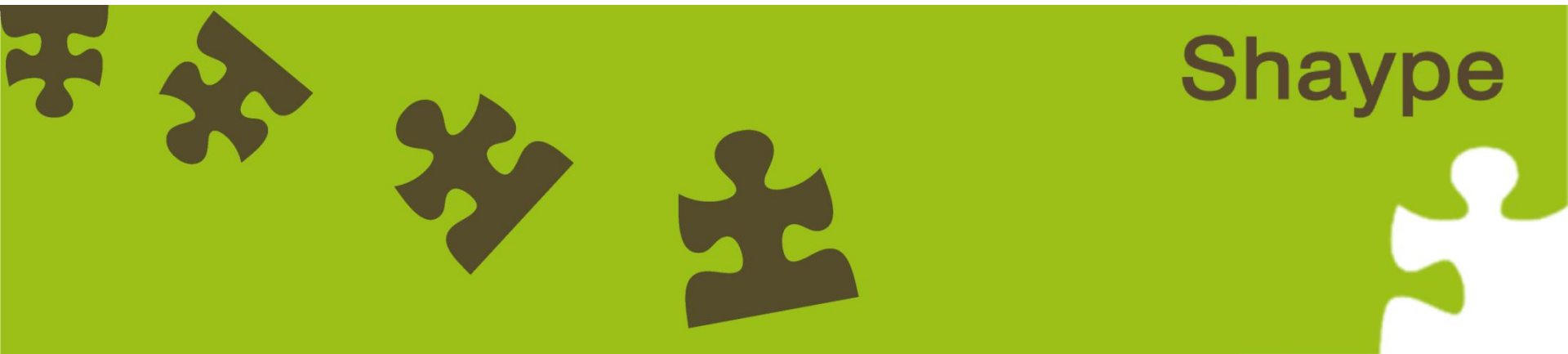


Cabinetry Design and Project Management

by Shay Steinberg

Shaype



Kitchen 1:

Full wrap kitchen with Pantry

- Detailed shop drawings for manufacture
- 3D model for customer approval



Plan Overview

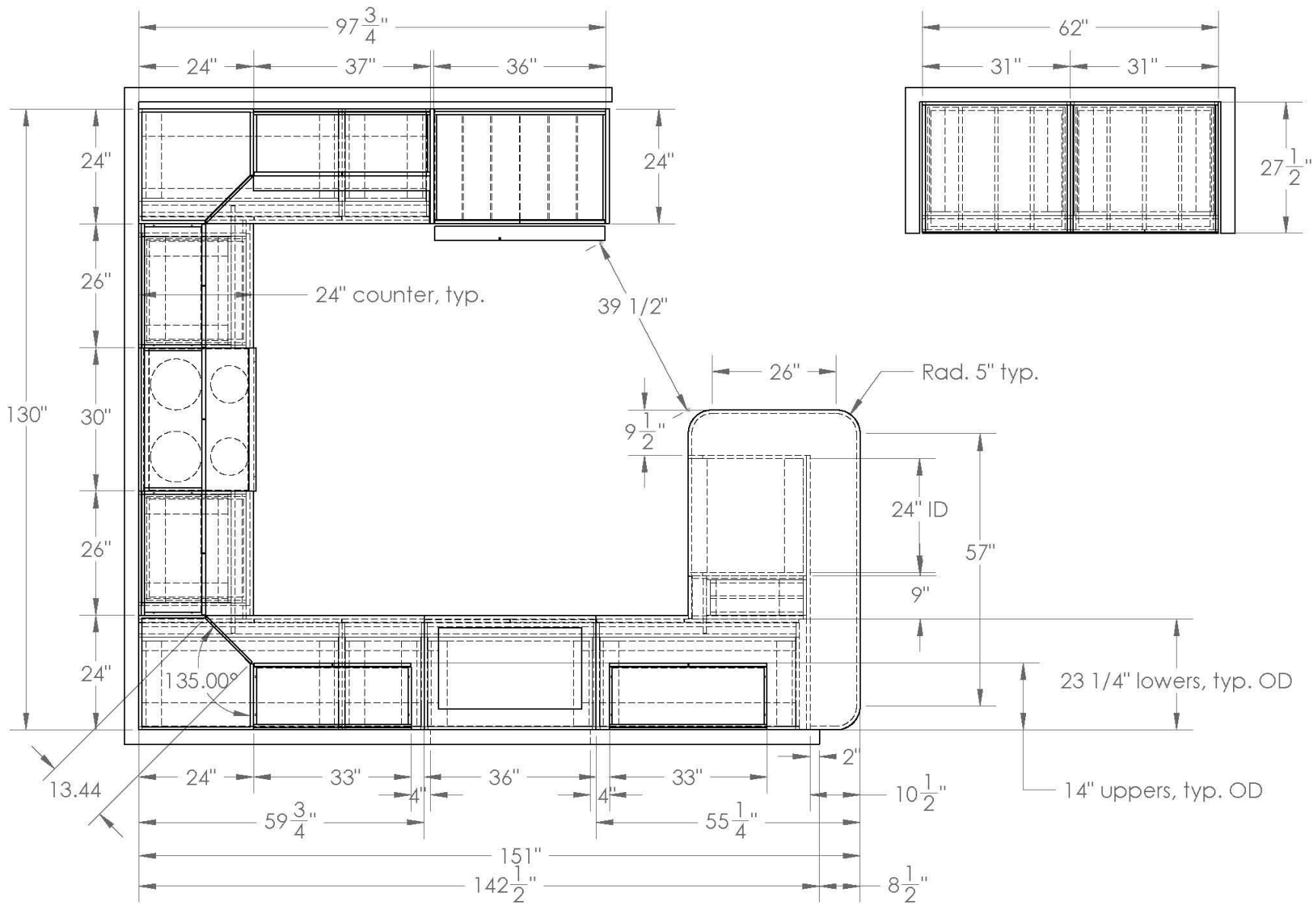
MATERIALS:

Interior: white melamine, 5/8"

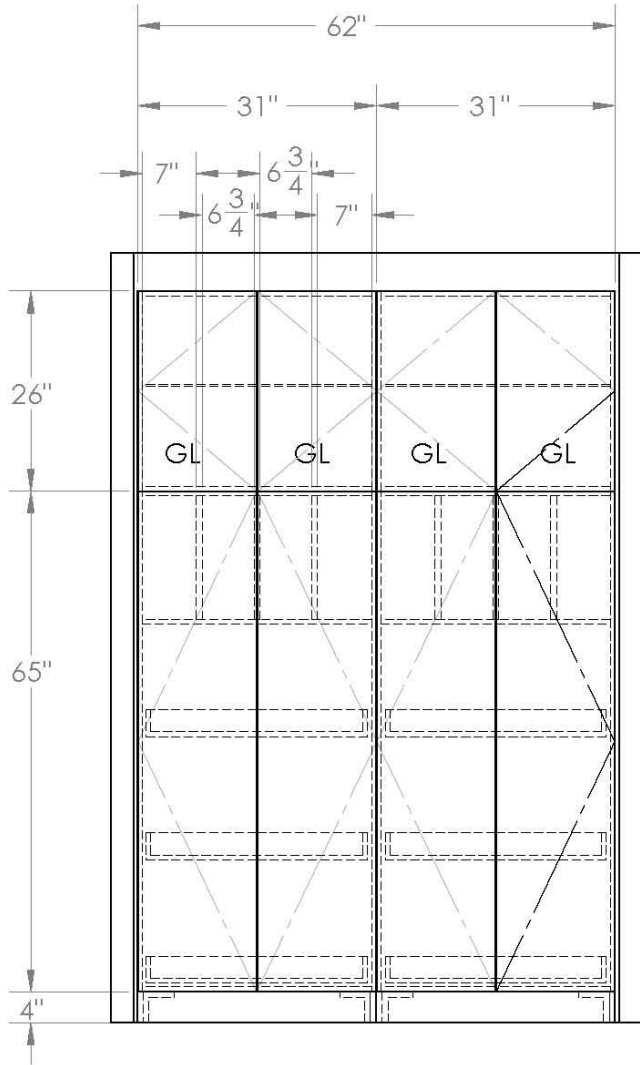
Exterior: Bamboo, 3/4"

Finish: Caramel,
with low sheen clear coat

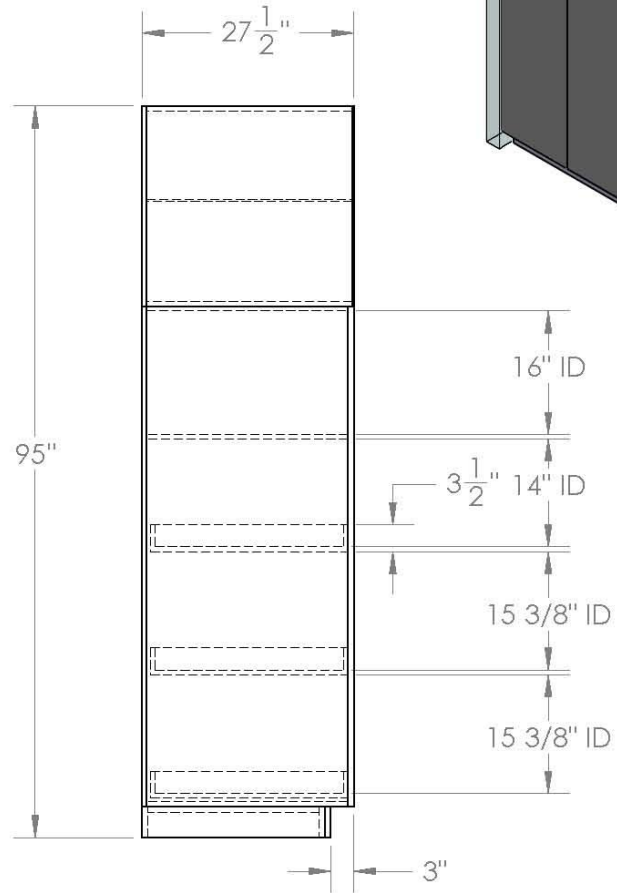
Pulls: TBD



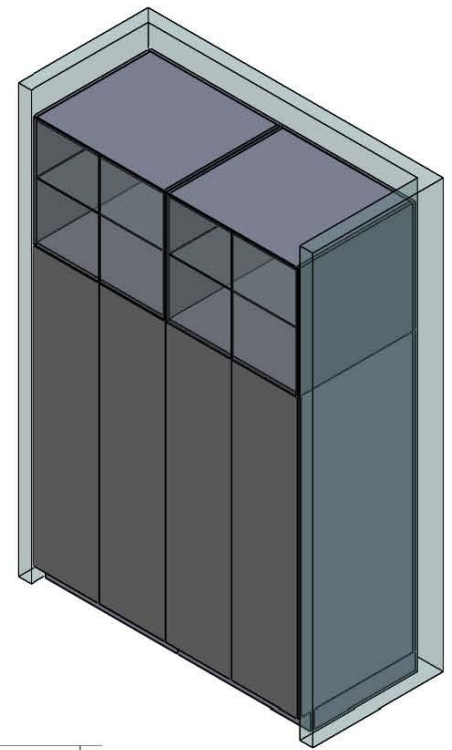
MATERIALS:
Interior: white melamine, 5/8"
Exterior: Bamboo, 3/4"
Finish: Caramel, low sheen clear coat
Top Cabs: 1/4" tempered glass
Pulls: TBD



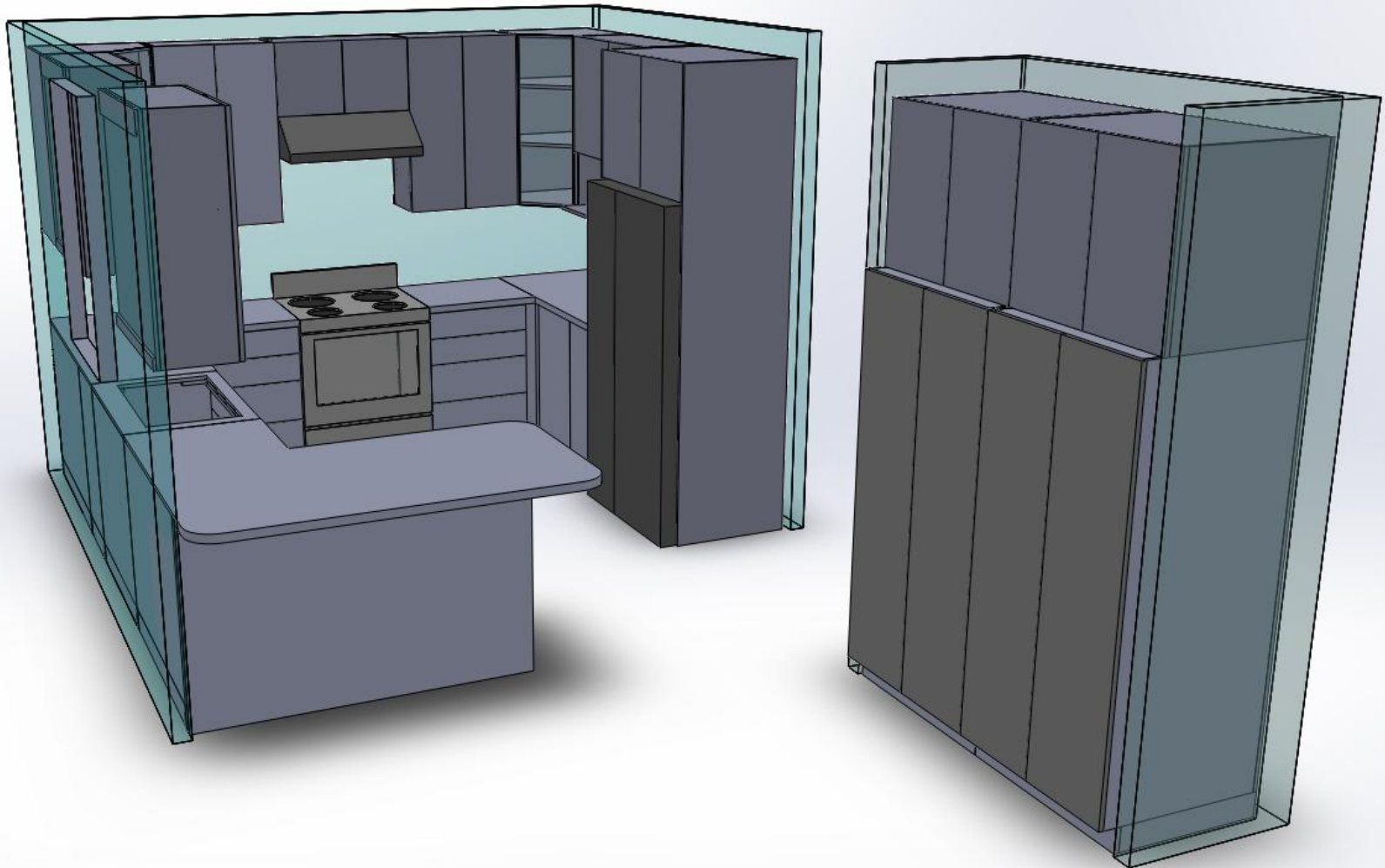
Section B(2) FRONT



SIDE



3D Model: Final Kitchen Design



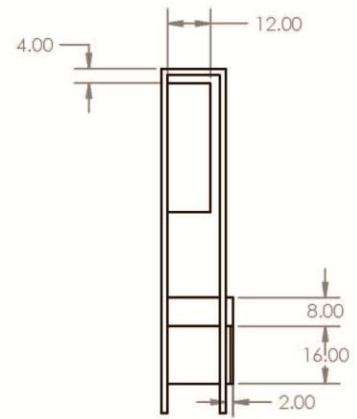
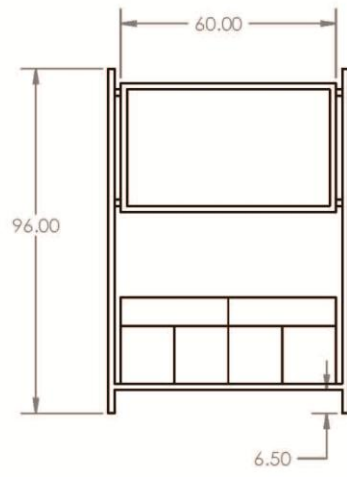
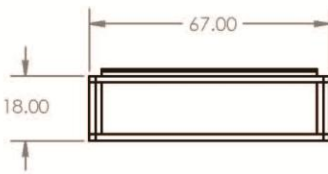
Entertainment and Display Unit

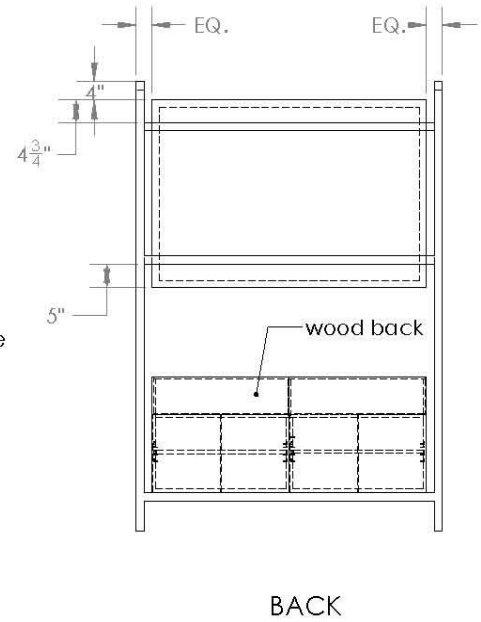
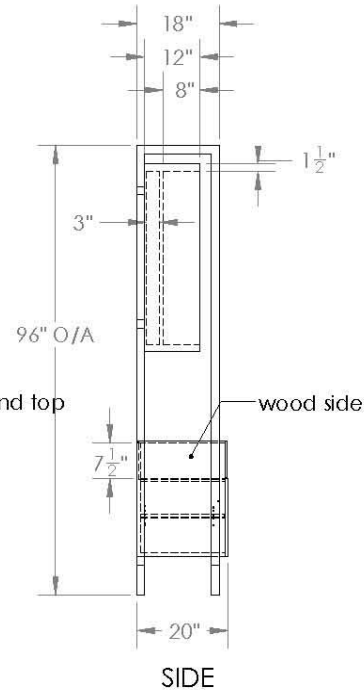
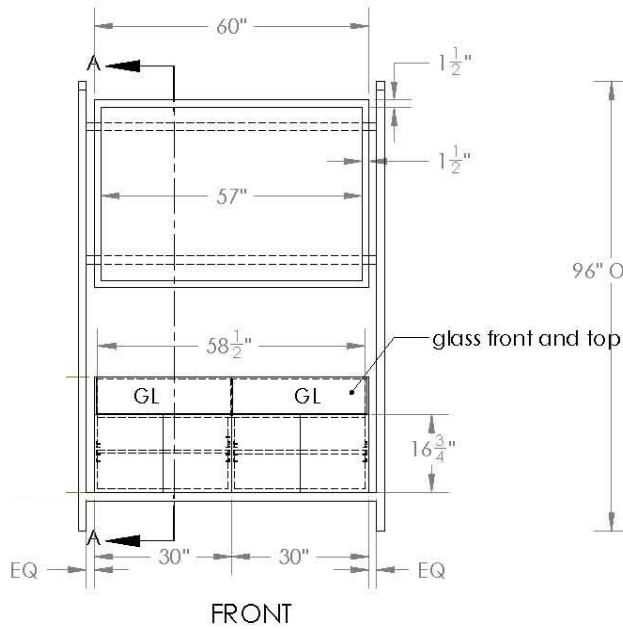
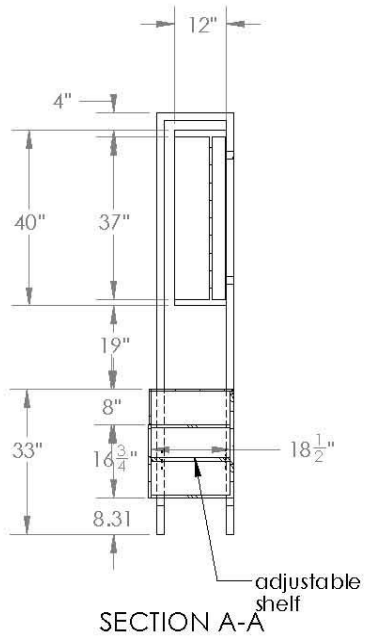
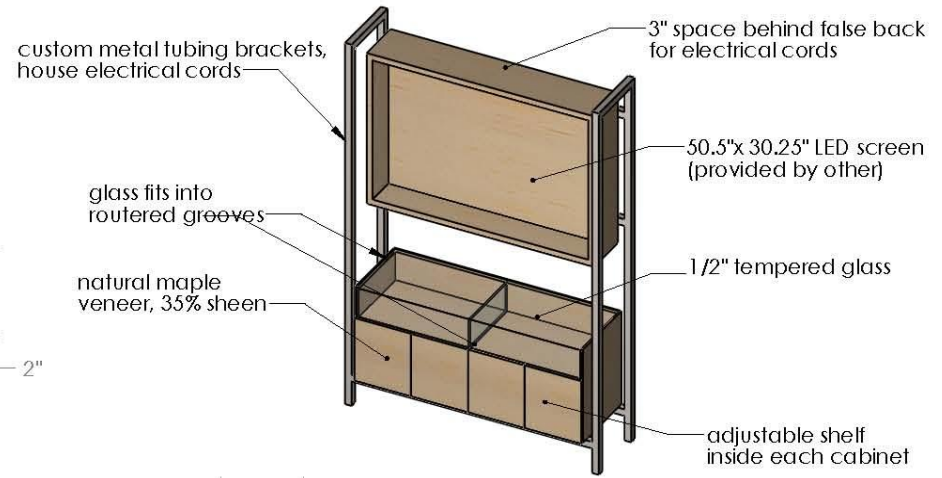
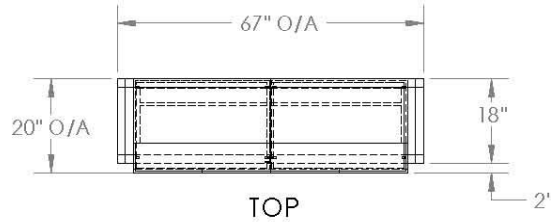
- Concept Presentation
- Shop drawings
- Final installation



arc form

custom millwork







Kitchen 3:

An architect's dream made real

- Shop drawings example
- During installation

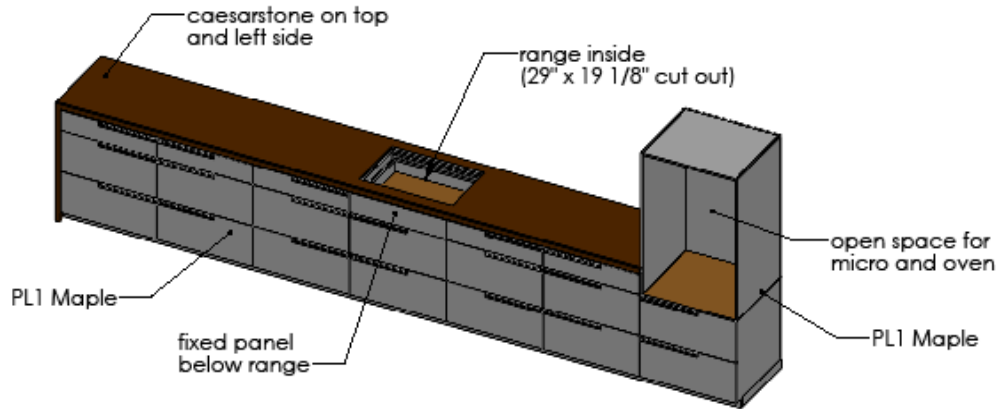


TORRYBURN

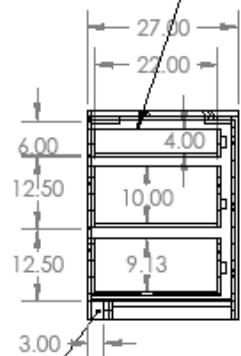
DWG M-11
(lower cabinets- below range)

MATERIALS: interior body 5/8" melamine to match PL1
back, cleats, stays: 1/2" ply
drawer fronts: 3/4" particle board

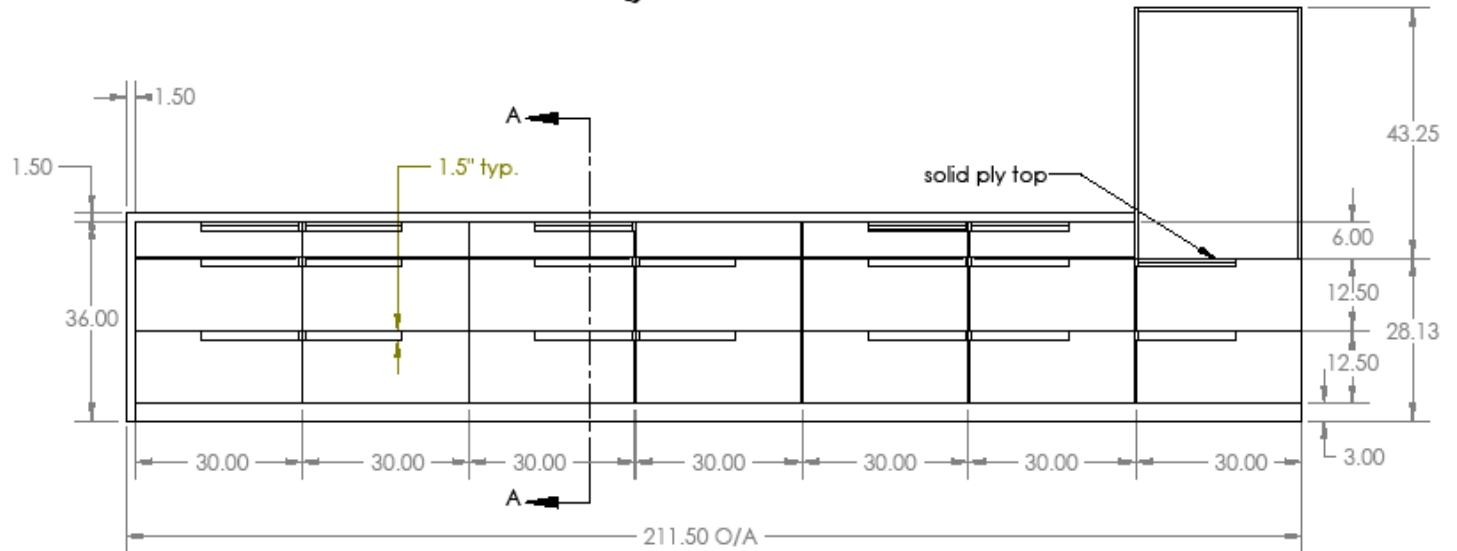
FINISH: PL1 Maple
: countertop- Caesarstone, "Coffeebean", 6310



NB: no top drawer under range



SECTION A-A
countertop at end



During Installation

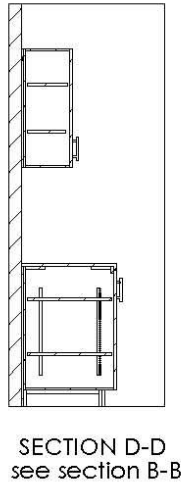
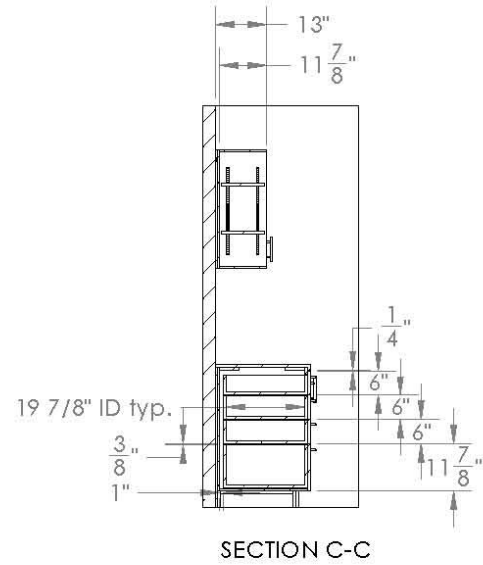
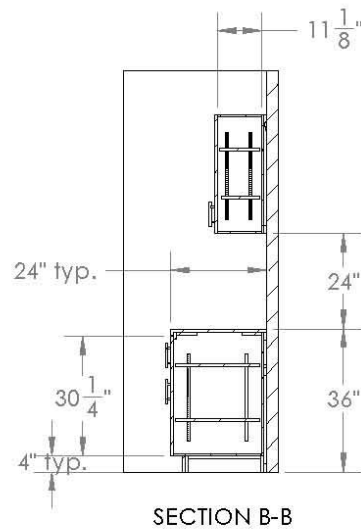
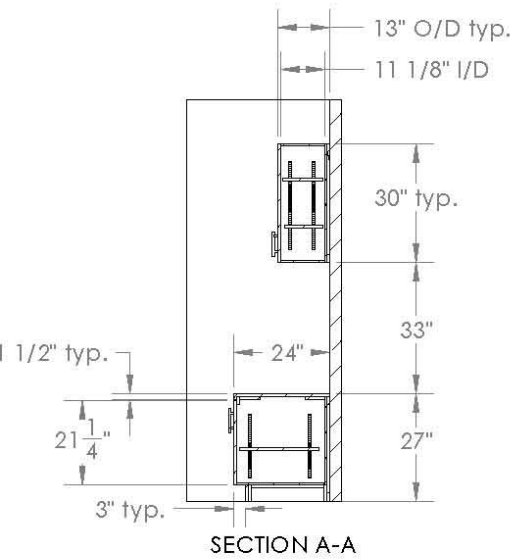
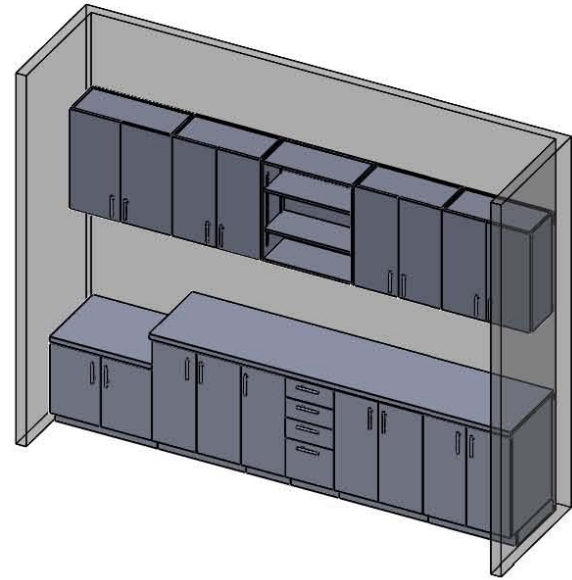
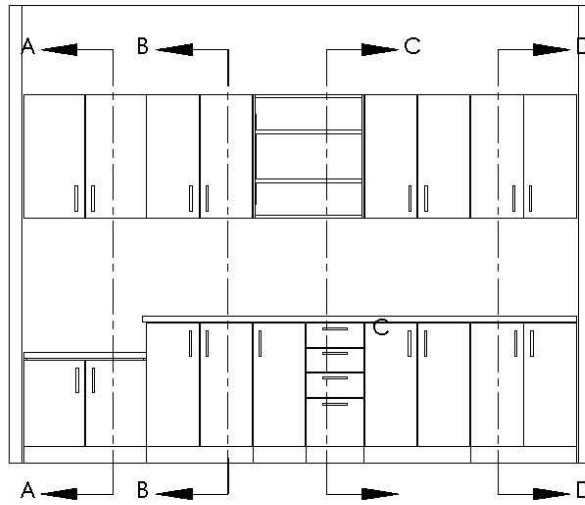


Copy/Print Room

- Shop Drawings
- Completed Installation

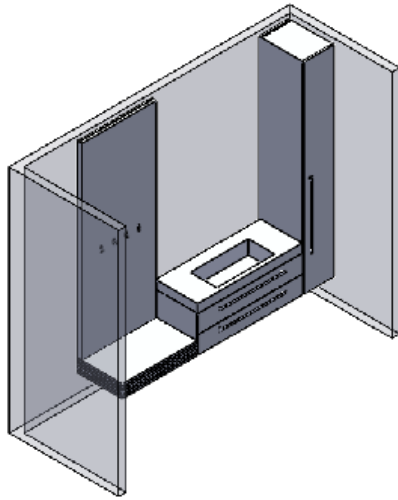


SECTIONS



During Installation

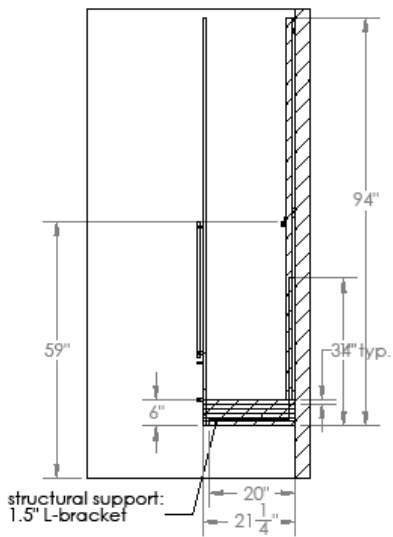




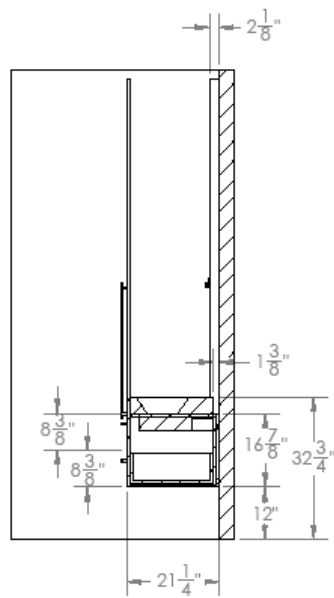
Materials:
 interiors: 5/8" melamine matching PL1
 exteriors: 3/4" particle board with PLAM
 seat: 1" solid maple, x 6- with Finish as specified
 cleats/stays: 3/4" MDF

Finish:
 Cabinets, Drawers: PL1- Octolam 165 Striped Wood
 (stripes vertical)
 Seat: as per specification

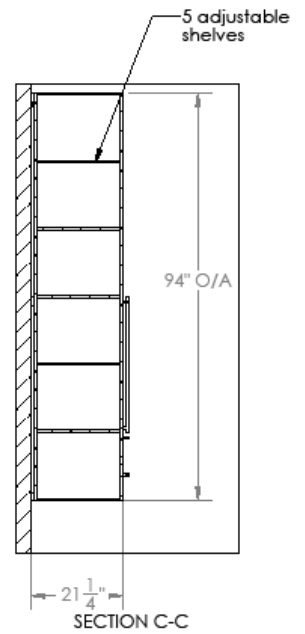
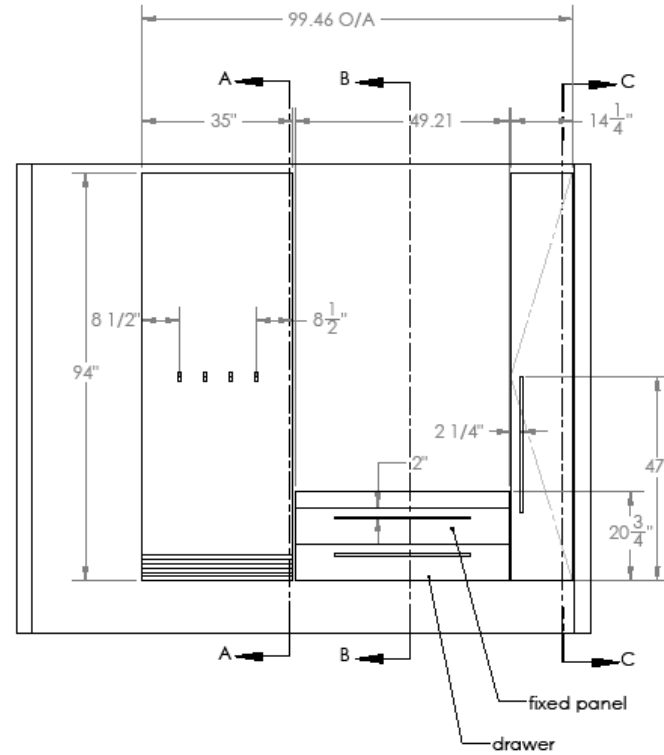
Hardware:
 Hettich Pulls (3), 1170106 30/30 (senia)
 Mockett Robe Hooks (4), CH44-26/90



SECTION A-A



SECTION B-B



SECTION C-C

During Installation



Kitchen 4

2 concepts with multiple variations

- Technical Drawing
- Concept Proposals

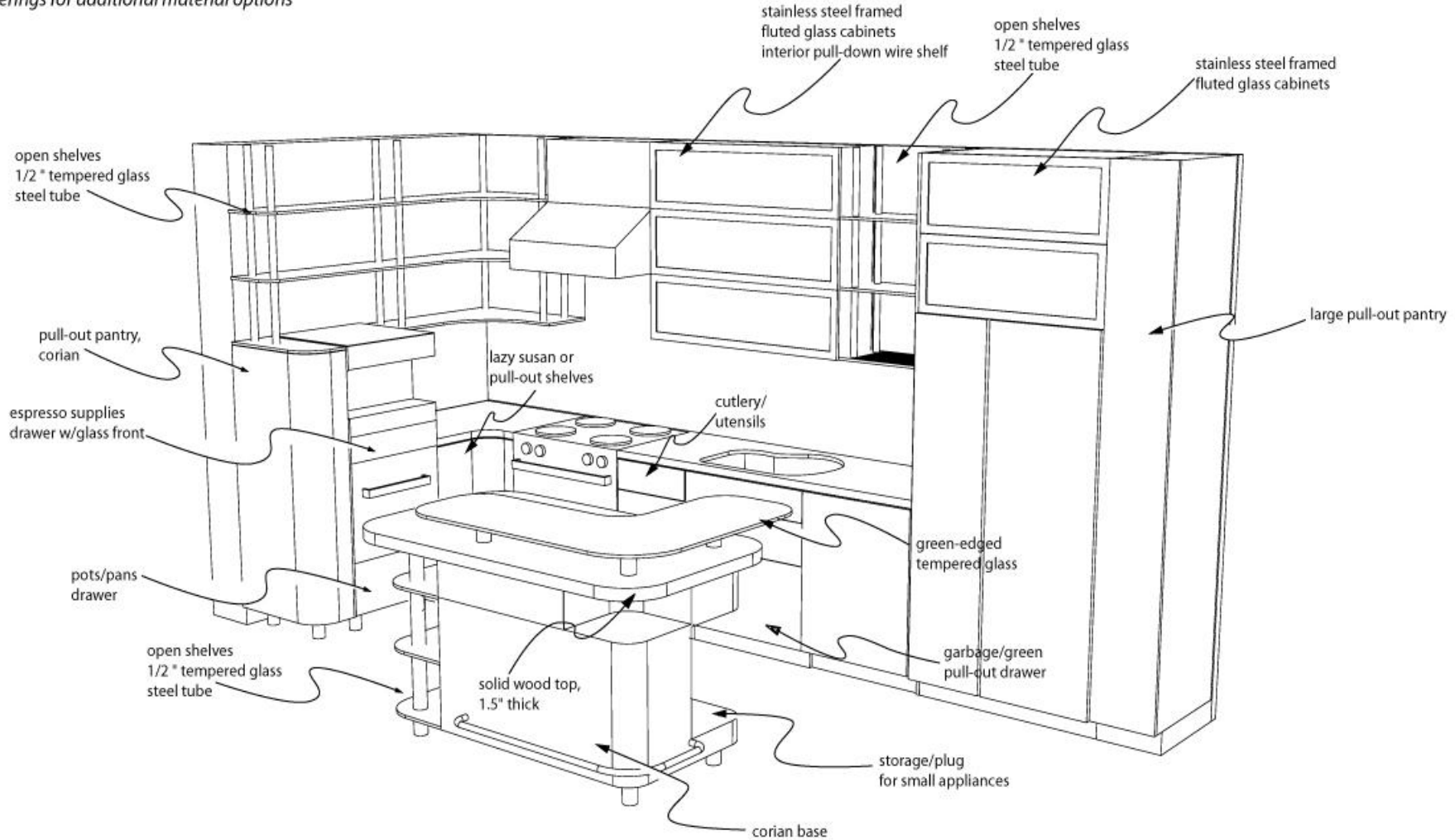


KITCHEN CONCEPT 1

FRESH CURVES

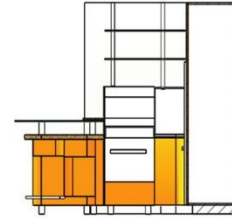
Parts details

See renderings for additional material options



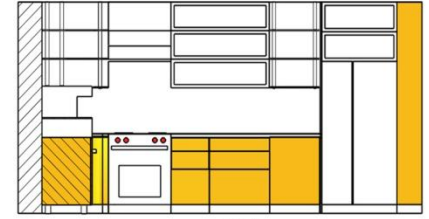
All concepts, models and drawings are the property of Shayva Steinberg, for Shaype Design. Any use of these materials for manufacturing purposes requires consent from the designer.

FRESH CURVES: CONCEPT 1

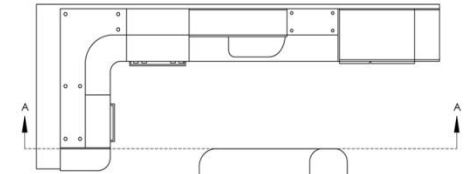


SIDE
view from window

SECTION A-A
SCALE 1:30



FRONT
facing kitchen inside island



TOP



Version A (*suggestion, specifications TBD*)

MATERIALS:

island: wood block
eat-at counter: 1/2" green-edged glass
cabinets/island body: Corian, Mandarin/Mint
upper cabinets: stainless steel w/fluted glass
open shelves: 1/2" green-edged glass
open shelf above sink: stainless mesh dishrack
backplash: textured stainless steel
countertop: brushed stainless steel
posts: brushed stainless steel
kick plate: brushed stainless steel

All concepts, models, and drawings are the property of Shayva Steinberg, for Shaype Design. Any use of these materials for manufacturing purposes requires consent from the designer.



Mandarin cabinetry with mint paint, stainless backspash, countertop, and cabinetry with tempered green glass shelves and fluted cabinets

FRESH CURVES: CONCEPT 1

Additional options for Corner Kitchen with solid wood island top and Corian (or related) cabinetry. Suggestions for backsplash & countertop materials and finishes, as well as end details.



orange and green square tile backsplash
stainless steel countertop, Corian cabinetry



No corner shelf
Greige paint, taupe and mandarin corian, with stainless backsplash and countertop

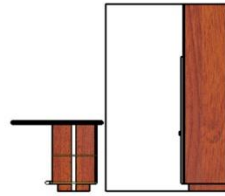
Full height corner shelf
orange and green square tile backsplash and countertop, Corian cabinetry



orange glass backsplash



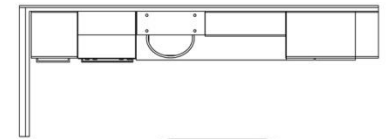
UPAND ATOM: CONCEPT 2



SIDE
from window



FRONT
from behind bar facing kitchen



TOP

Version A (suggestion, specifications TBD)

MATERIALS:

- island:** "ice cream" granite
- bar/side shelves:** brown tempered glass
- open shelves:** brown tempered glass
- shelf above sink:** stainless dish drainer
- cabinets/island:** cherry veneer
- backsplash:** multi-circles, warm tones
- countertop:** reflective Corian or like
- posts:** stainless steel

All concepts, models, and drawings are the property of Shayva Steinberg, for Shaype Design. Any use of these materials for manufacturing purposes requires consent from the designer.



UPAND ATOM: CONCEPT 2

Additional options for Galley Kitchen with granite island surface and wood veneer cabinets. Suggestions for backsplash, countertop, and bar details.



Teardrop-shaped island, matching granite side shelves, bubble tiles backsplash/counter, solid wood open shelves

Teardrop island with brown glass bar and side shelves, small square tile (multi-coloured warm tones) backsplash reflective solid surface (Corian) countertop.

48" circle eat-at area, brown glass side and upper shelves, bubble backsplash and matching bubble tile countertop. *NOTE FLOOR COLOUR- accidental but interesting consideration TBD.*



Orange glass shelves, bar and backsplash and matching colour solid surface (Corian) countertop



48" circular eat-at area, with central fireplace hearth in brown glass, encircled by lower bar rail. Reflective solid surface countertop, bubble tile backsplash. Matching brown glass side and upper shelves.



Kitchen 5:

Designed and Project Managed
complete kitchen

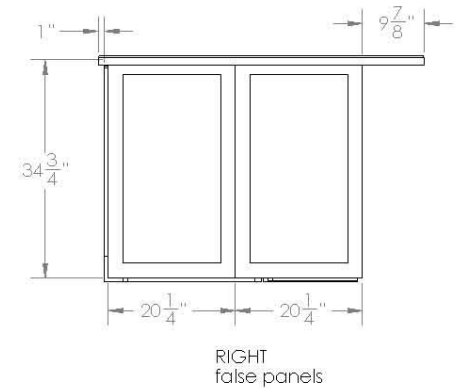
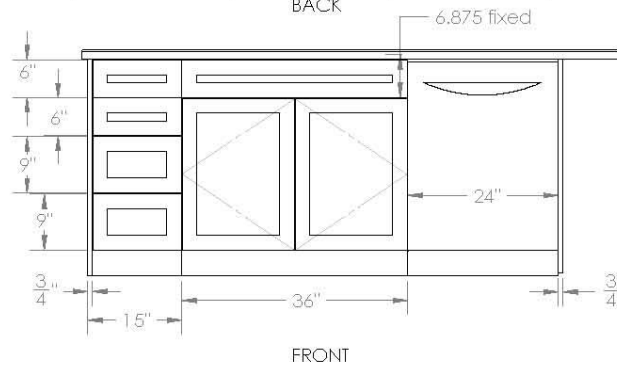
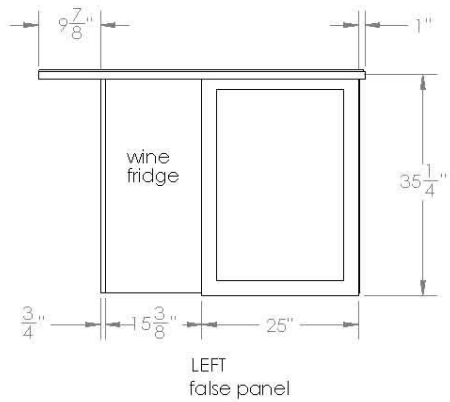
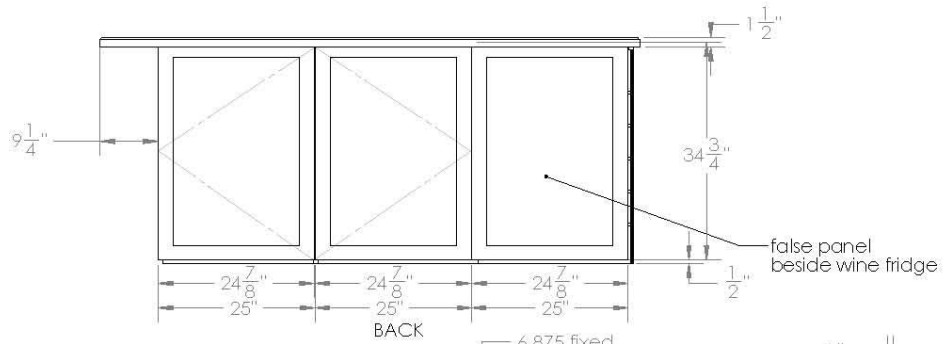
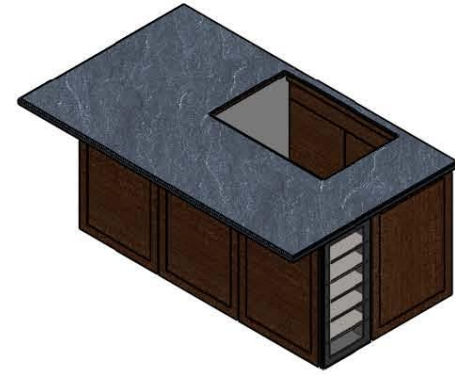
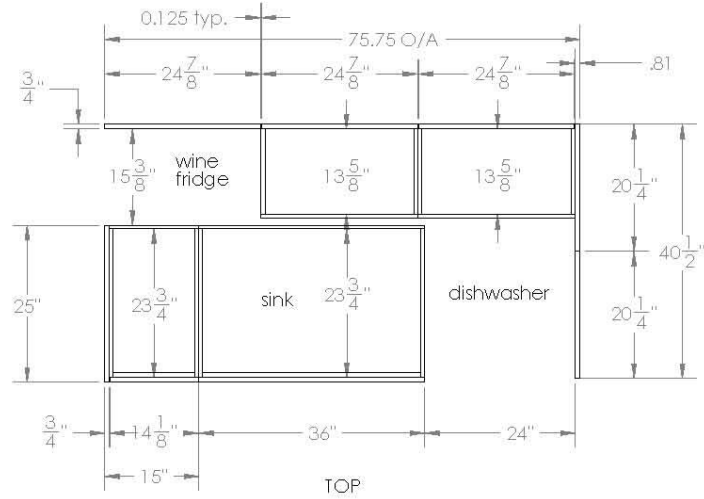
- Site visited existing kitchen and gutted space
- Shop Drawings example
- 3D Rendering of entire kitchen
- Post Installation photo



Kitchen Before Installation



Middle: Island



Rendering of Kitchen Plans:
Approved Configuration



Kitchen After Installation

